

## 74201 Threaded Insert Tool

### Hydropneumatic

The 74201 hydro-pneumatic tool is designed for placing Avdel® threaded inserts and is ideal for batch or flow-line assembly in a wide variety of applications throughout all industries.

The tool works on the principle of adjustment of the force rather than the stroke. The advantage lies in the fact that it is possible to place the same insert (of the specified tightening thickness) in materials of different thicknesses, after setting the tool for the greatest thickness.

#### Features

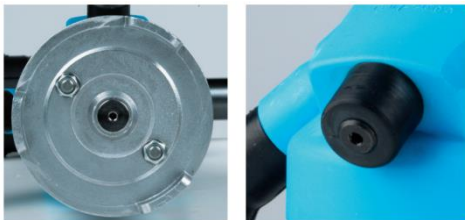
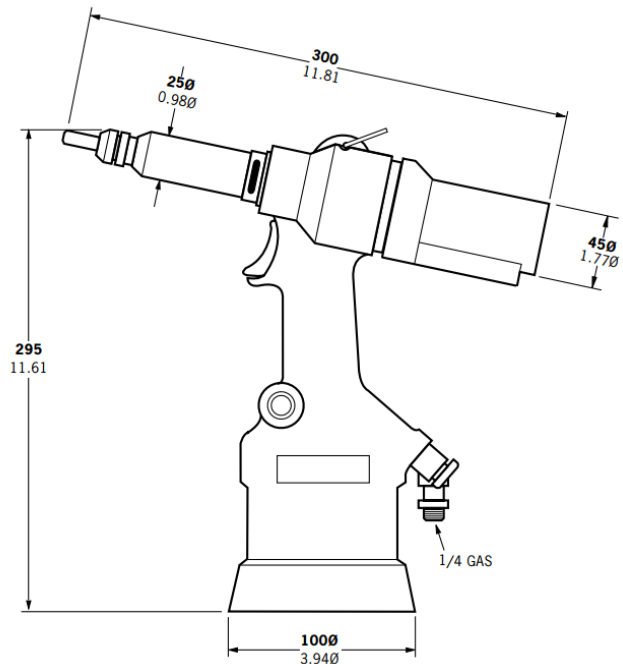
- Pressure setting
- Lightweight and ergonomically designed
- One-step trigger
- Spin-on, pull-up, spin-off action
- Can be suspended or hand-held
- Heavy duty plastic body
- Ideal for applications with varying sheet thicknesses, without any adjustment to stroke
- Overcomes rear sheet swarf issues
- Reduces operator fatigue
- Increased impact resistance, durability and structural integrity
- Ensures accurate and secure thread installation

#### Technical Data

<b>Weight</b>	: 2.1 kg (without nose equipment)
<b>Pull Force</b>	: 17,650 N at 5.0 bar
<b>Stroke</b>	: 7 mm (max.)
<b>Cycle Time</b>	: 2.5 sec (approx.)
<b>Air Supply Pressure</b>	: 5 - 7 bar
<b>Free Air Volume</b>	: 7.5 litres at 5 bar
<b>Noise Level</b>	: < 75 dB
<b>Vibration</b>	: < 2.5 m/s <sup>2</sup>

#### Placing Capability

Threaded inserts M3 to M8



Steel tie rods for increased structural integrity

Pressure setting adjustment dial

For accessories options, contact  
Gripwell Sales for assistance



We are proud to be Avdel's authorized distributor of over 30 years